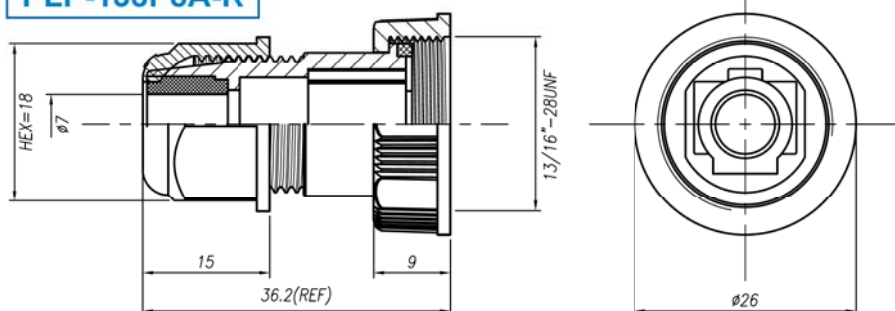
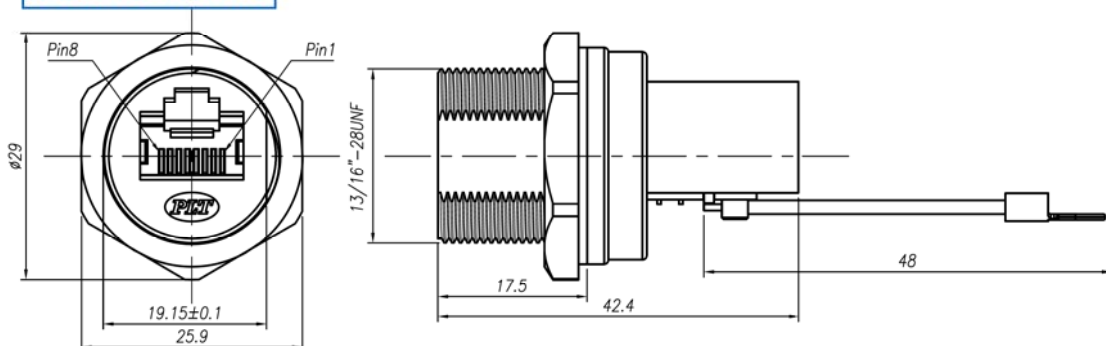




PLP-138P8A-R



PLP-138R8A-R



ELECTRICAL SPECIFICATION

Rated current / voltage	AC / DC 5V-5mA min. AC / DC 125V-3A max.
Insulation resistance	500MΩ min. at DC 500V
Withstanding voltage	AC 300V for 1 minute